

TECHNICAL SPECIFICATIONS

COMPAC

	COMPAC 01	COMPAC 05	COMPAC 08
Sorting	Non sorting	Passive sorting up to 5+1 denominations	Passive sorting up to 8+1 denominations
Dimensions (L x W x H mm)	160mm x 199mm x 144mm	160mm x 199mm x 209mm	160mm x 305mm x 238
Weight	2,4 Kg	2,8 Kg	3,0 Kg
Power specifications	24Vdc, 2,5A (GND connection is mandatory)*		
Power consumption	Nominel = 25W counting/5W stand-by		
Sensor type	CTcoin SMARTsensor Technology		
Overflow functionality	Optional: Counts and retains coins.		
Coin wheel	7 or 9 hole pick-up wheel		
Keypad	None		
Display	None		
Reject of foreign/counterfeit	By reject solenoid / Optional: Reject chute		
Communication plugs	1 x USB		
Power plug	DC barrel jack (5,5mm external diam), (2,5mm internal diam) center pin = positive		
Plugs location	Right side from front		
Communication protocol	USB / Cctalk Protocol		
Software platform	SMARTsuite - https://github.com/CTcoin-Development/SMART-Documentation		
Noise level	10 mins. AVG. Below 43 dB (without coins) or below 71 dB (with coins)		
Enviroment	Indoor / built-in use only		
Operating temperature	+10°C <> +45°C (+50°F <> +113°F)		
Storage temperature	-20°C <> +85°C (-4°F <> +185°F) at 90 % RH		
No. of currencies counted/sorted	All major currencies. Approx. 50 currencies, up to 30 denominations – please contact CTcoin		
Hopper capacity	50 - 60 coins (depending on mix and currency)		
Coin counting/sorting speed	250 - 310 cpm (mixed coins) (depending on currency/coin wheel)		
Counting accuracy	99,99 % or better		
Sorting precision	99,97 % or better		
Cleaning mechanism	Optional: Mechanism cleans coins from debris, such as paper clips, bottle caps, keys etc.		
Escrow	Optional: 2 liter escrow function.		
Durability	5 mill coins, before pick-up wheel should be replaced ** 8,5 mill coins, before replacement of runway and deflectors ** 10 mill coins, before motor needs replacement **		
RoHS compliant	Yes		
Certification	Deutsche Bundesbank – Successfully tested coin validation devices		
IP Rights	PCT/DK2017/05034, PCT/DK2018/050176, PR 179422, PR 179612, PR 179209 and Q 18311767		

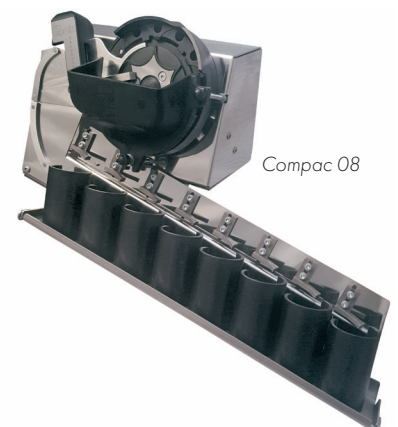
* Essential for accuracy and stability of the unit

** Under ordinary use, in a clean enviroment and following CTcoin's guidelines for usage, cleaning and maintenance

Unit is as standard delivered without power supply

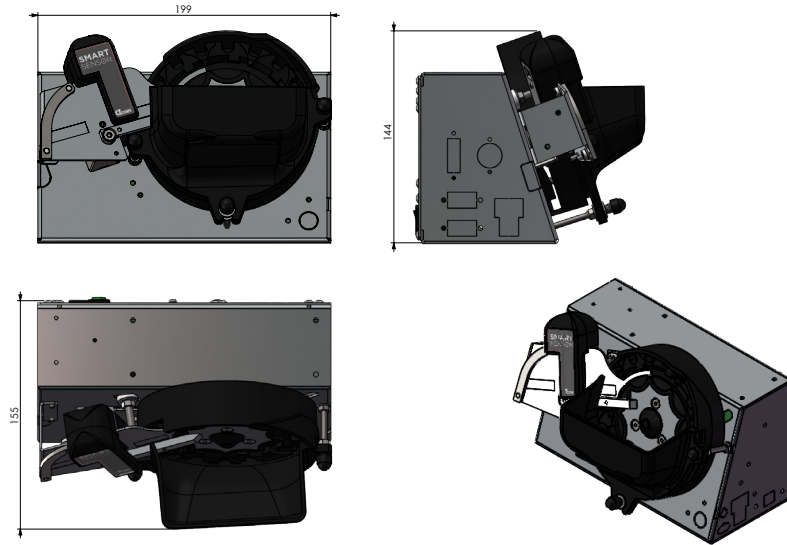


Compac 01 with cleaning

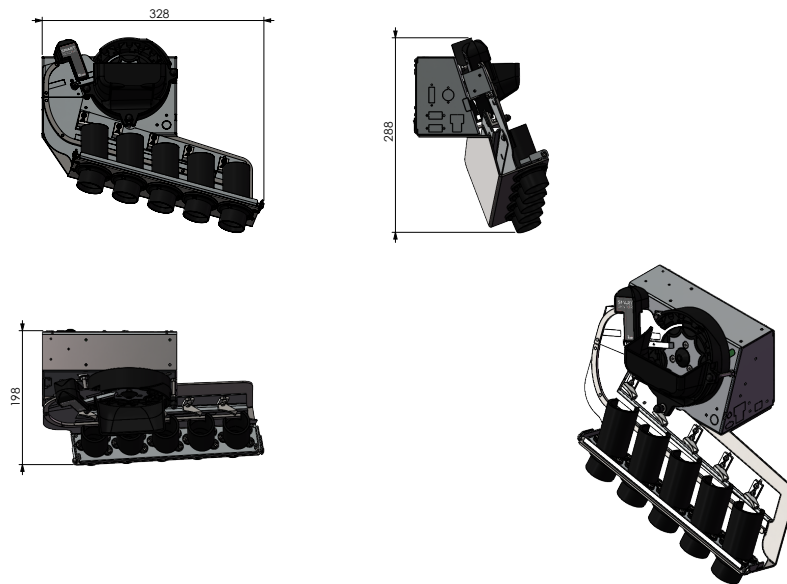


Compac 08

COMPAC 01



COMPAC 05



COMPAC 08

