

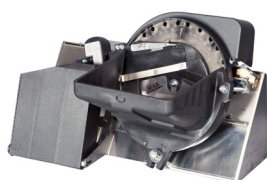
TECHNICAL SPECIFICATIONS

BASIC

	BASIC 01	BASIC 05	BASIC 09	BASIC 22
Sorting	Non sorting	Passive sorting up to 5 denominations	Passive sorting up to 9 denominations	Non sorting 2 consecutive bags
Dimensions (L x W x H mm)	367mm x 326mm x 236mm	507mm x 310mm x 265mm	693mm x 309mm x 262mm	367mm x 326mm x 237mm
Weight	6,5 Kg	8,5 Kg	10,0 Kg	7,0 Kg
Power specifications	24Vdc 2,5A (GND connection is mandatory*) Incl. power supply			
Power consumption	Nominal = 25W counting/5W stand-by			
Sensor type	CTcoin SMARTsensor Technology			
Overflow sensor	Optional: Counts and retains coins.			
Keypad/Display	None			
Reject of foreign/counterfeit	By reject solenoid / Optional: Reject chute			
Communication plugs	1 x USB			
Power plug	DC barrel jack (5,5 mm external diam) (2,5 mm internal diam) center pin positive			
Plugs location	Back and right side from front			
Communication protocol	USB / CCTalk Protocol			
Software platform	SMARTsuite - https://github.com/CTcoin-Development/SMART-Documentation			
Noise level	Below 60 dB (without coins) or below 80 dB (with coins)			
Environment	Indoor / built-in use only			
Operating temperature	+10 C <> +45 C (+50F <> +113F)			
Storage temperature	-20 C <> +85 C (-4 F <> +185F) at 90% RH			
No. of currencies counted/sorted	All major currencies. Approx. 50 currencies – up to 30 denominations. Please check with CTcoin			
Hopper capacity	400-450 mixed coins			
Coin counting/sorting speed	1,100 cpm with 1 EUR cent coins. Mixed coins approx. 800 cpm (depending on currency and mix)			
Counting accuracy	99,99 % or better			
Sorting precision	99,96 % or better			
Cleaning mechanism	Optional. Mechanism cleans coins from debris, such as paper clips, bottle caps, keys etc.			
Durability	10 mill coins before coin wheel should be replaced** 8,5 mill coins before replacement of coin runway and deflectors** 10 mill coins before motor and belt needs replacement**			
RoHS compliant	Yes			
Certification	Deutsche Bundesbank - Successfully tested coin validation devices.			
IP Rights	Utility Model Registration in China No. 201220586878.4 PCT/DK20181050176, PR 179422, PR 179612, 179209, Q 18311767			

* Essential for accuracy and stability of the unit

** Under ordinary use, in a clean environment and following CTcoin's guidelines for usage, cleaning and maintenance



Basic 01/22

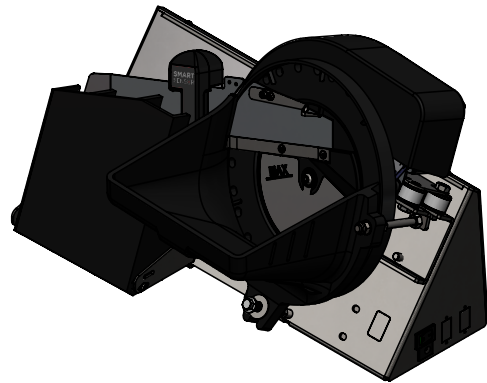
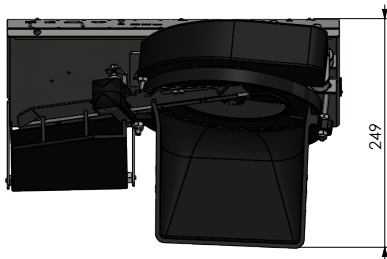
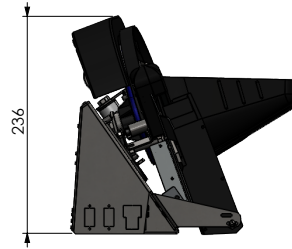
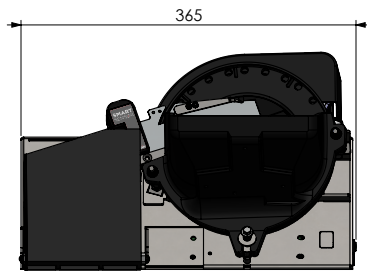


Basic 05

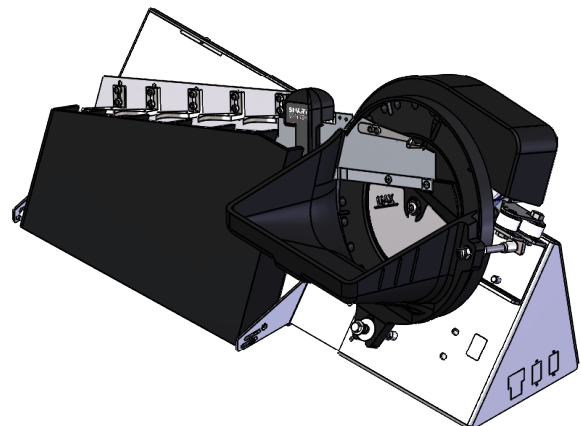
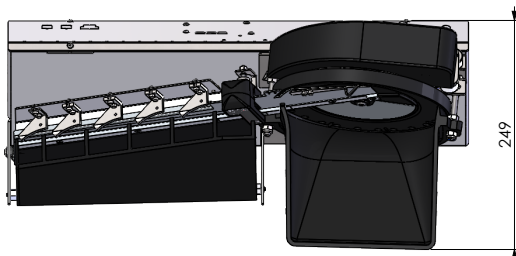
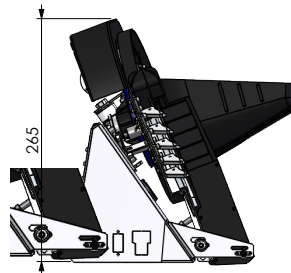
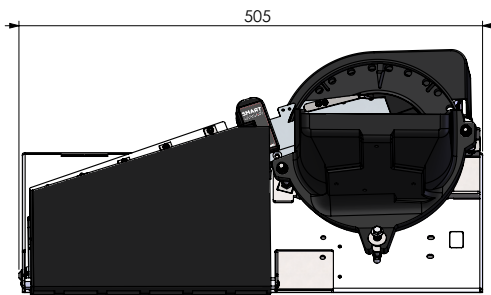


Basic 09

BASIC 01

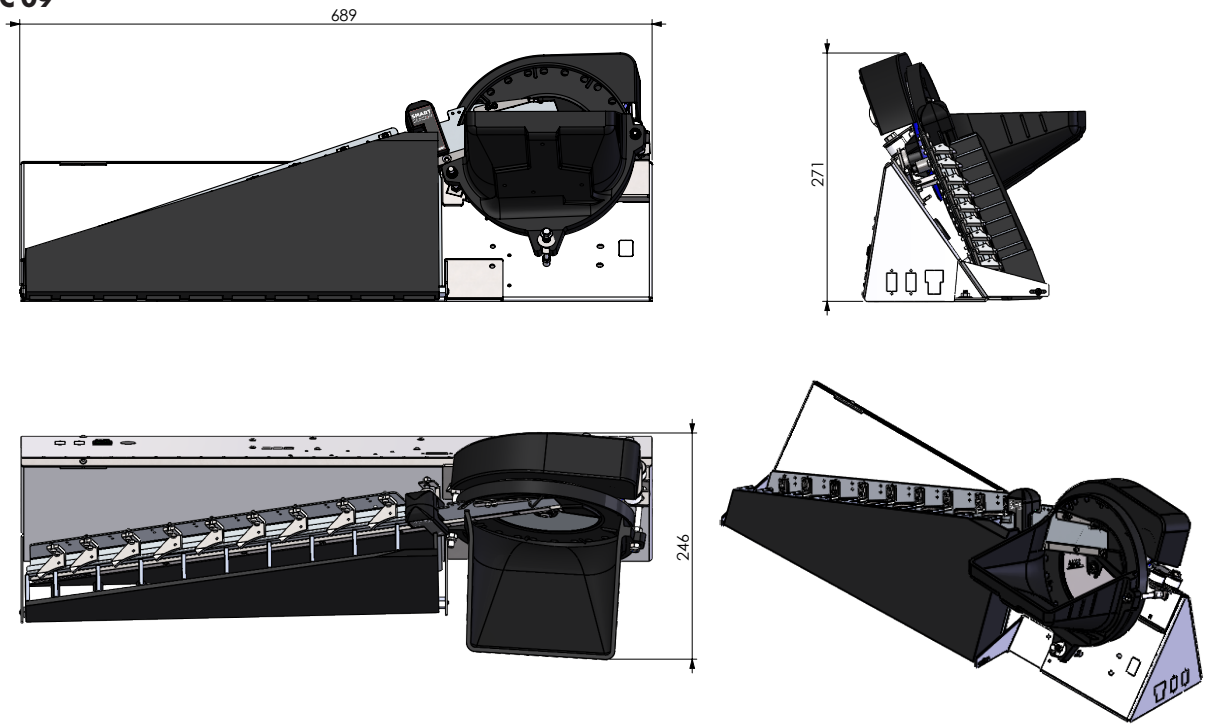


BASIC 05



TECHNICAL SPECIFICATIONS

BASIC 09



BASIC 22

